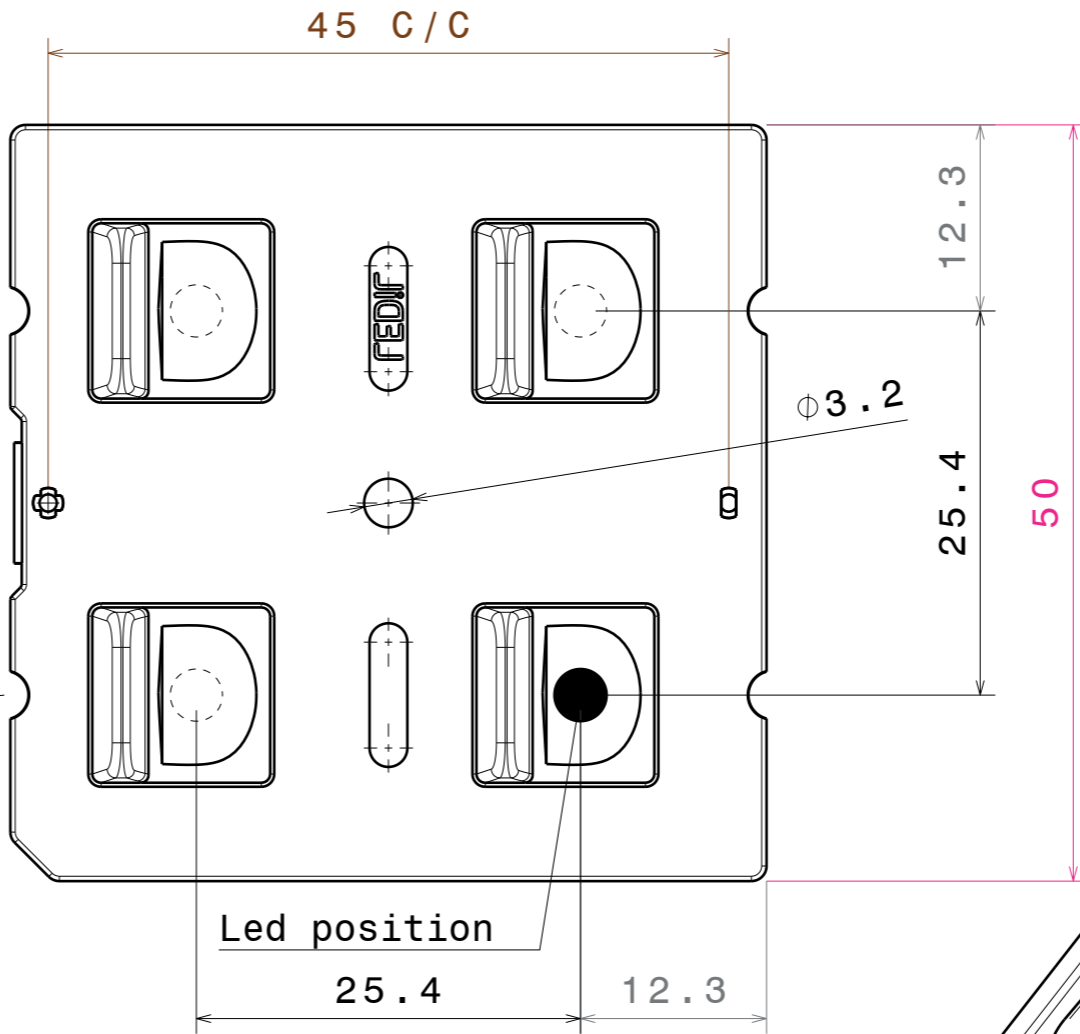
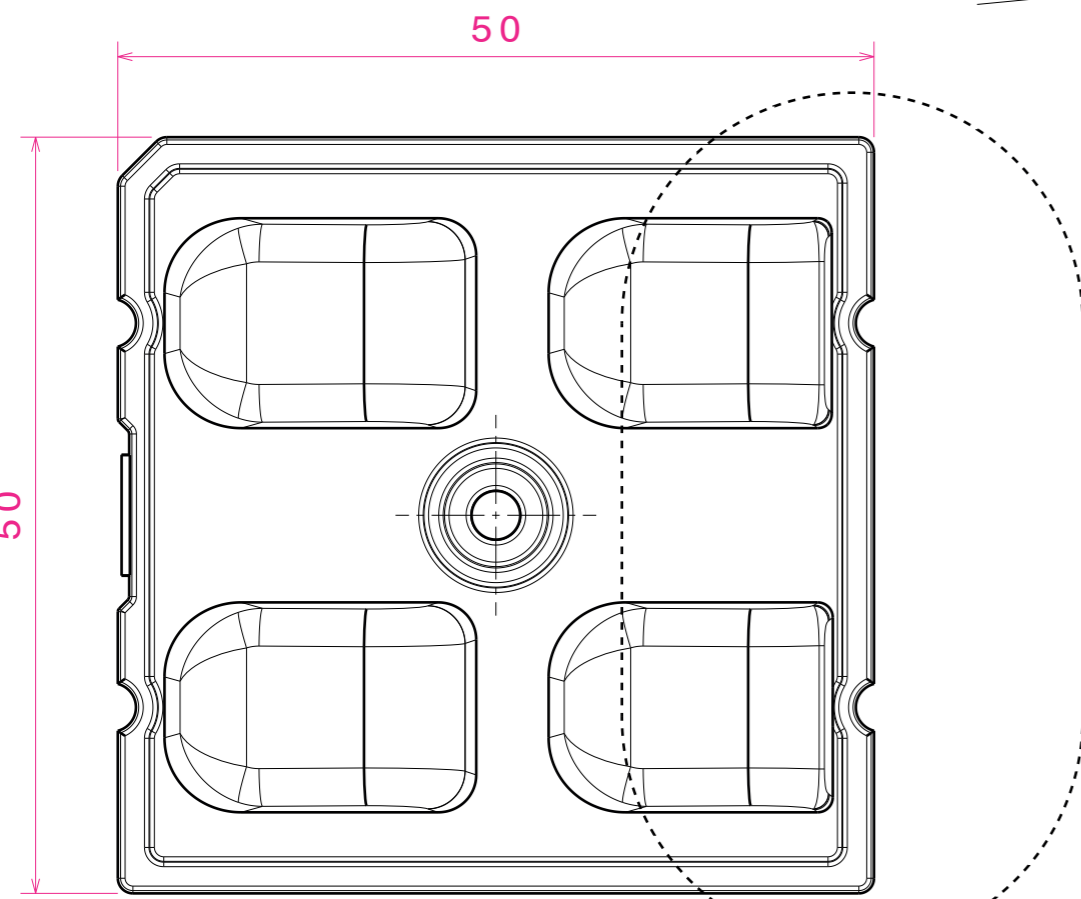


Front view

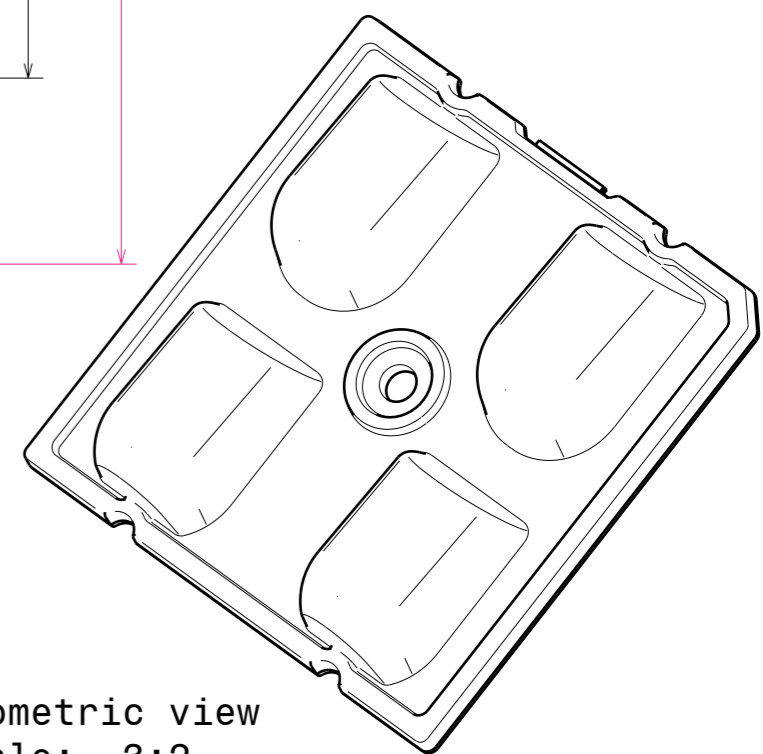


Bottom view



Top view

Beam direction



Isometric view
Scale: 3:2

INDEX	PART NO	DESCRIPTION	MATERIAL	COLOUR
1	C14731	STRADA-2X2-FN-PC	PC	

Plastic moulding general tolerances according to DIN 16901-130 and applies if not otherwise shown in the drawing.
Silicone moulding general tolerances according to ISO 3302-1 Class M3 and applies if not otherwise shown in the drawing.

LEDiL LediL Oy
Salorankatu 10
FIN 24240 SALO
Finland

THIRD ANGLE PROJECTION:

DRAWING TITLE
C14731_STRADA-2X2-FN-PC

This drawing is the property of LEDiL Oy. It may not be reproduced, copied or communicated without a written agreement with LEDiL Oy."

SIZE	PART NUMBER		
A3	c14731		

SCALE	2:1	WEIGHT	-	SHEET	1/1
-------	-----	--------	---	-------	-----